

## Series Features



- 120/277 VAC Operation
- Maximum Input Rating  
120 VAC 3 Watts Standard  
277 VAC 3 Watts Standard



- Light-Emitting Diodes – 25+ Year Life
- Illuminates with Uniform Color and Brightness



- Architectural Grade
- Clean, Contemporary Styling
- Ceiling, End or Back Mount
- Surface or Recessed\* Housing  
\*(Recessed Only on Ceiling Mount Units)
- Recessed Includes Adjustable Hanger Bars
- Etched, Clear Acrylic, Edge-lit Panel
- Field Applied Directional Indicators
- Steel Housing and Trim Plate
- UL Listed

## Additional Emergency Unit Features



- Dual-Voltage Transformer for 120/277 VAC Operation
- Integrated Solid State System
- Constant Current, Automatic Charger
- Lock Out (Automatic Battery Connect)
- Low-Voltage Battery Cutoff
- Brownout Sensitivity



- Light Emitting Diodes
- Initial Increased LED Brightness Level in Emergency Mode



- Sealed Nickel Cadmium Battery
- 10-Year Battery Warranty
- Maintenance-Free



- 3+ Hours Illumination in Emergency Mode
- Test Switch
- Red (Power On) Indicator

## ELEDEL

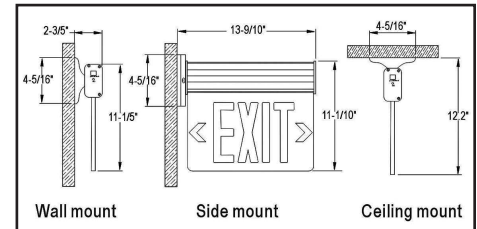


ELEDELS – Surface



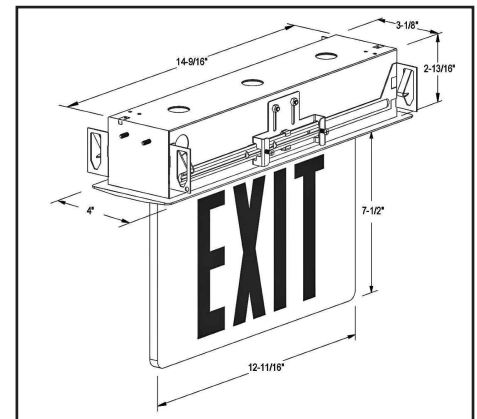
ELEDEL – Recessed

## Dimensions



## Rough-In

Opening Size: 3.125" x 14.46"



## Ordering Information

ELEDEL	1	A	R	S
Series	# Faces	Trim Color	Letter Color	Mounting Type
ELEDEL	1 2	Aluminum*	Red	Surface Recessed †

\*Standard †Recessed/Wall Units Not Available

