

# DX SERIES

## ALUMINUM DIECAST EXIT SIGNS

### IMPORTANT SAFEGUARDS

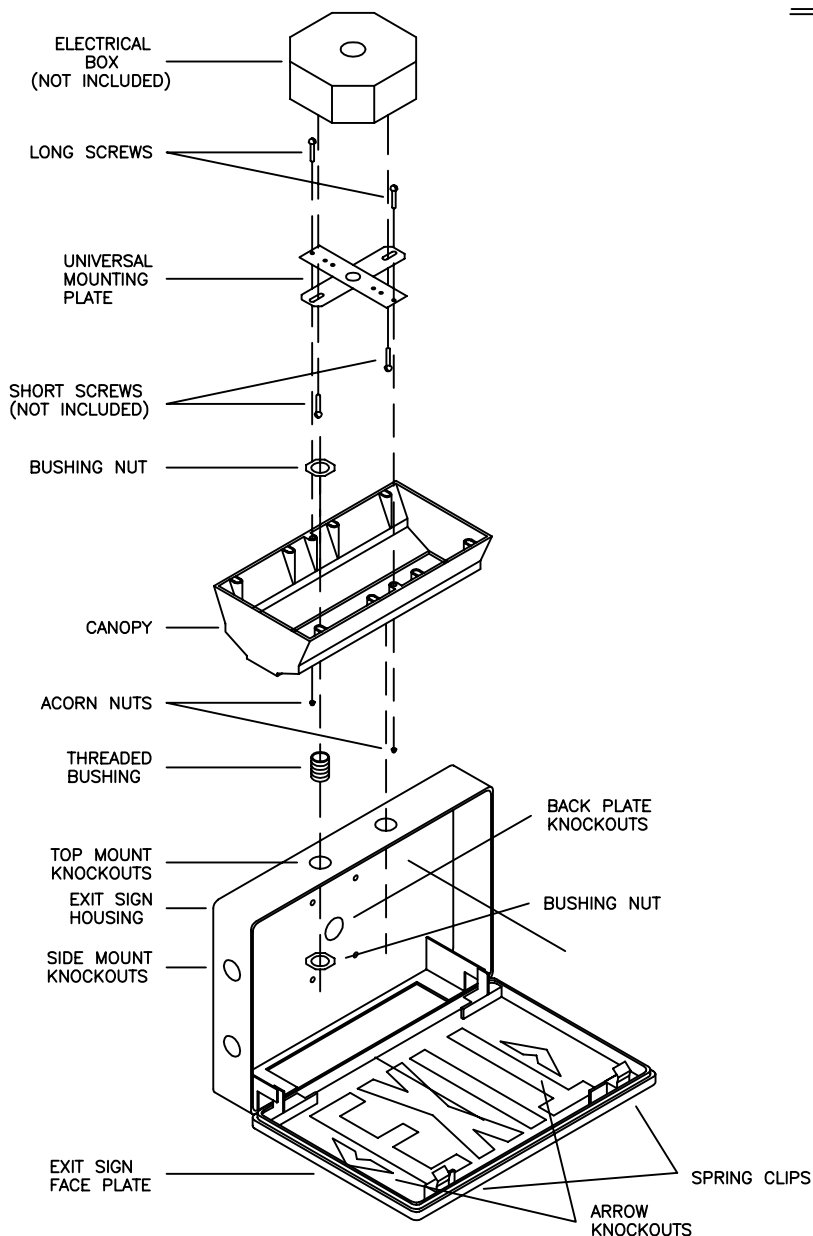
WHEN USING ELECTRICAL EQUIPMENT, BASIC SAFETY PRECAUTIONS SHOULD ALWAYS BE FOLLOWED INCLUDING THE FOLLOWING:

## READ AND FOLLOW ALL SAFETY INSTRUCTIONS

- 1) DO NOT USE OUTDOORS.
- 2) DO NOT LET POWER SUPPLY CORDS TOUCH HOT SURFACES.
- 3) DO NOT MOUNT NEAR GAS OR ELECTRIC HEATERS.
- 4) USE CAUTION WHEN SERVICING BATTERIES. BATTERY ACID CAN CAUSE BURNS TO SKIN AND EYES. IF ACID IS SPILLED ON SKIN OR IN EYES FLUSH WITH FRESH WATER AND CONTACT PHYSICIAN IMMEDIATELY.
- 5) EQUIPMENT SHOULD BE MOUNTED IN LOCATIONS AND AT HEIGHTS WHERE IT WILL NOT BE READILY SUBJECTED TO TAMPERING BY UNAUTHORIZED PERSONNEL.
- 6) THE USE OF ACCESSORY EQUIPMENT NOT RECOMMENDED BY THE MANUFACTURER MAY CAUSE AN UNSAFE CONDITION.
- 7) DO NOT USE THIS EQUIPMENT FOR OTHER THAN INTENDED USE.
- 8) CAUTION: SEALED LAMPS MAY HAVE INNER HALOGEN CYCLE BULB. THIS PRESSURE FILLED INNER BULB COULD SHATTER IF SCRATCHED OR DAMAGED. IF THE OUTER SEALED BEAM IS INTACT, THIS WILL BE NO PROBLEM. IF THE OUTER SEALED ENVELOPE IS BROKEN DO NOT OPERATE BUT REMOVE AND DISPOSE OF LAMP WITH CARE.

## SAVE THESE INSTRUCTIONS

### MOUNTING INSTRUCTIONS



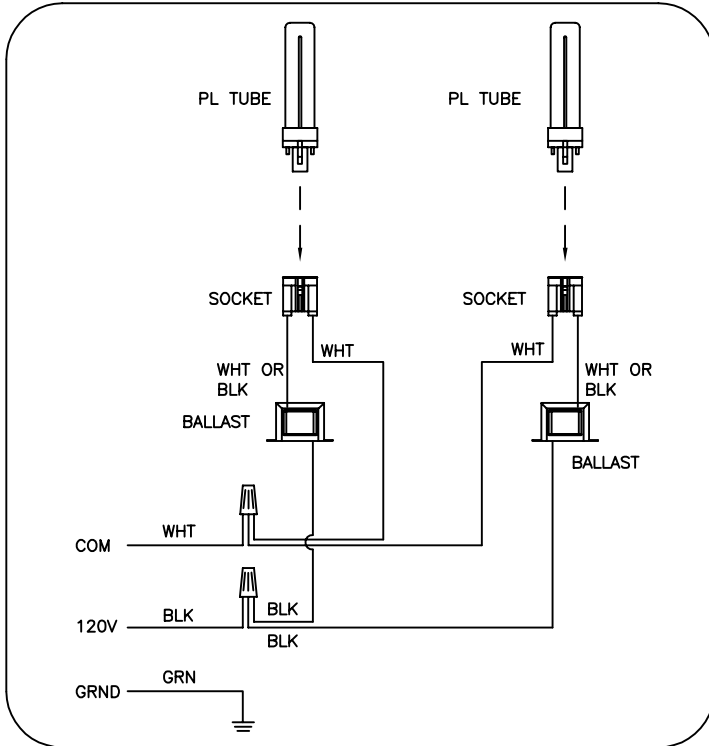
- 1) BEFORE BEGINNING, OPEN THE UNIT AND REMOVE LAMP/BALLAST BRACKET ASSEMBLY BY LOOSENING TWO SCREWS HOLDING IT TO BACK OF THE EXIT HOUSING.
- 2) TEMPORARILY REMOVE COLORED PANEL(S). (STENCIL TYPE SIGNS ONLY.)
- 3) TAP OUT DESIRED KNOCKOUTS BEING CAREFUL NOT TO DAMAGE SURROUNDING AREA. TWO ROUND MOUNTING KNOCKOUTS ARE LOCATED ON THE TOP AND THE SIDES OF EXIT SIGN FOR TOP & SIDE MOUNTING THE UNIT.
- 4) FOR BACK MOUNT UNITS, KNOCKOUT APPROPRIATE MOUNTING PATTERN AND ROUTE UNSWITCHED AC WIRES INTO EXIT HOUSING. MOUNT EXIT SIGN HOUSING TO JUNCTION BOX WITH SCREWS PROVIDED WITH JUNCTION BOX. SKIP INSTRUCTIONS 5-8.
- 5) FOR SIDE MOUNT UNITS, KNOCKOUT APPROPRIATE KNOCKOUTS AND FASTEN CANOPY TO EXIT SIGN HOUSING USING THREADED BUSHING AND BUSHING NUTS PROVIDED.
- 6) SCREW LONG #8-32 SCREWS ALL THE WAY INTO THE UNIVERSAL MOUNTING PLATE IN THREADED HOLES SHOWN IN DIAGRAM.
- 7) MOUNT UNIVERSAL PLATE TO JUNCTION BOX WITH LONG #8-32 SCREWS FACING OUT.
- 8) ROUTE UNSWITCHED AC WIRES INTO UNIT. FASTEN EXIT SIGN HOUSING AND CANOPY TO THE UNIVERSAL MOUNTING PLATE AND JUNCTION BOX USING (2) ACORN NUTS PROVIDED.
- 9) CONNECT THE UNSWITCHED AC WIRES AS FOLLOWS;  
FOR 120VAC UNITS: 120V TO BLACK WIRE AND COMMON TO WHITE WIRE  
FOR 277VAC UNITS: 277V TO VIOLET WIRE AND COMMON TO WHITE WIRE.  
FOR ALL UNITS: GROUND TO GREEN WIRE.
- 10) REPLACE THE COLORED PANEL(S). WHEN REPLACING PEEL THE PROTECTIVE BACKING FROM DOUBLE SIDED ADHESIVE TAPE (INSTALLED) AND PRESS PANELS INTO PLACE.
- 11) REINSTALL LAMP/BALLAST BRACKET ASSEMBLY. ROUTE AND DRESS ALL WIRES AROUND PERIMETER OF THE EXIT SIGN HOUSING USING ADHESIVE WIRE RETAINER(S) SO THEY WILL BE OUT OF THE WAY DURING LAMP REPLACEMENT (SEE WIRE ROUTING INSTRUCTIONS INCLUDED.)
- 12) INSTALL AC LAMP(S) AND SNAP EXIT SIGN FACE PLATE CLOSED.
- 13) ENERGIZE UNSWITCHED AC POWER SUPPLY, AC LAMPS WILL ILLUMINATE. (IF DC LAMPS ARE PART OF THE FIXTURE PRESS TEST SWITCH OF REMOTE EMERGENCY POWER UNIT. DC LAMPS WILL ILLUMINATE.)

117-0525-0497

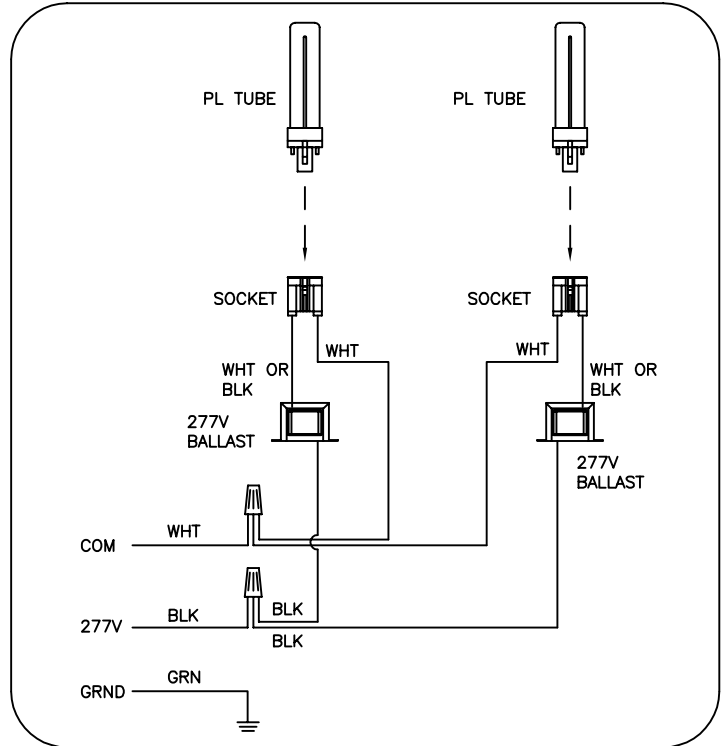
# ELECTRICAL DIAGRAMS

**NOTE :SERVICING SHOULD BE PERFORMED BY QUALIFIED SERVICE PERSONNEL. IF THE UNIT MALFUNCTIONS, DISCONNECT FROM POWER SUPPLY AND CONTACT BIG BEAM EMERGENCY SYSTEMS, INC. OR THE LOCAL BIG BEAM EMERGENCY SYSTEMS, INC. REPRESENTATIVE, WRITTEN AUTHORIZATION MUST BE OBTAINED PRIOR TO THE PREPAID RETURN OF ANY EQUIPMENT. THE BATTERY(S) MUST ALWAYS BE PROPERLY MARKED AND SHIPPED SEPARATELY.**

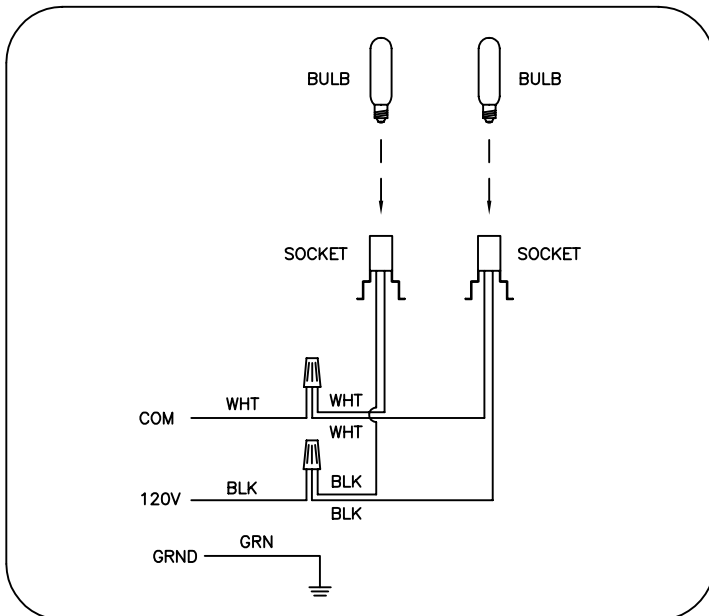
## 120V FLUORESCENT UNITS



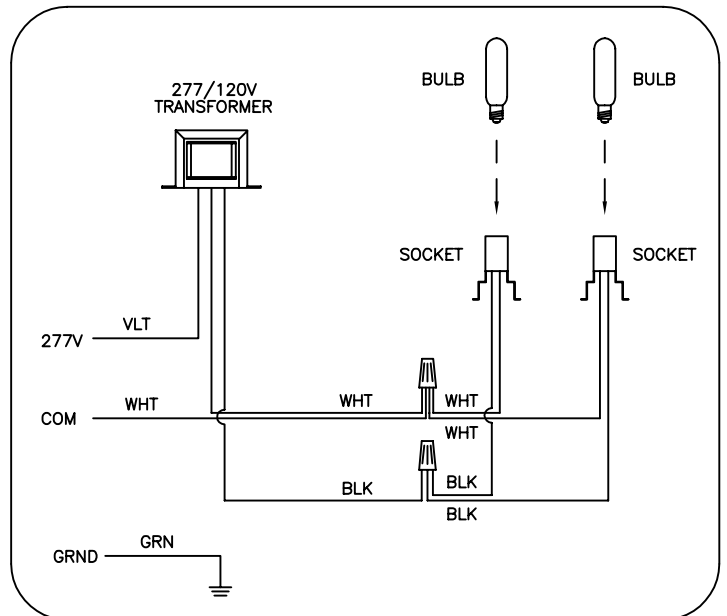
## 277V FLUORESCENT UNITS



## 120V INCANDESCENT UNITS



## 277V INCANDESCENT UNITS



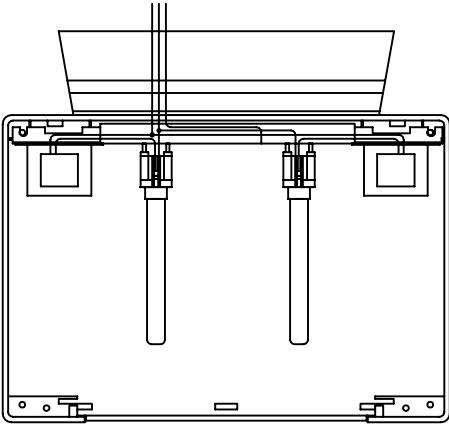
THESE FIXTURES ARE INTENDED FOR CONNECTION TO A SINGLE SOURCE OF SUPPLY SUCH THAT ALL LAMPS ARE SIMULTANEOUSLY ILLUMINATED.

**BIG BEAM  
EMERGENCY SYSTEMS, INC.**  
290 EAST PRAIRIE STREET, P.O. BOX 518  
CRYSTAL LAKE, IL 60039-0518  
PHONE: (815) 459-6143  
FAX: (815) 459-6126  
web site [www.bigbeam.com](http://www.bigbeam.com)  
email [info@bigbeam.com](mailto:info@bigbeam.com)

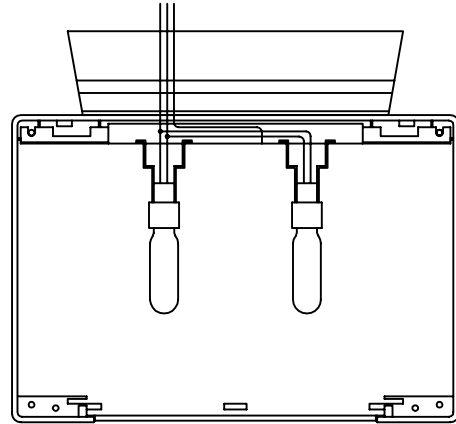
# DX SERIES

## WIRE ROUTING INSTRUCTIONS

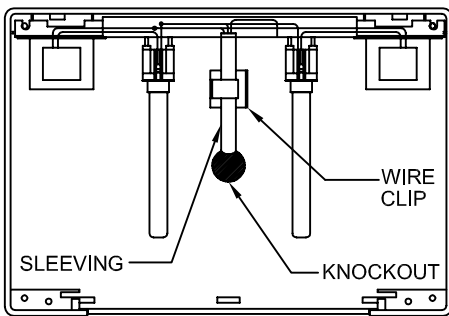
FLUORESCENT  
TOP MOUNT



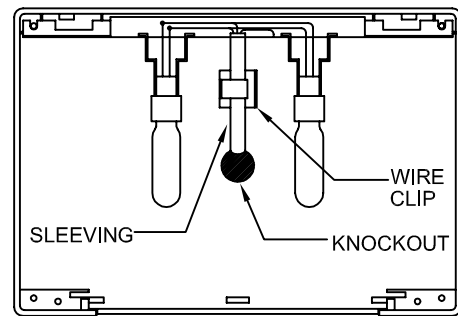
INCANDESCENT  
TOP MOUNT



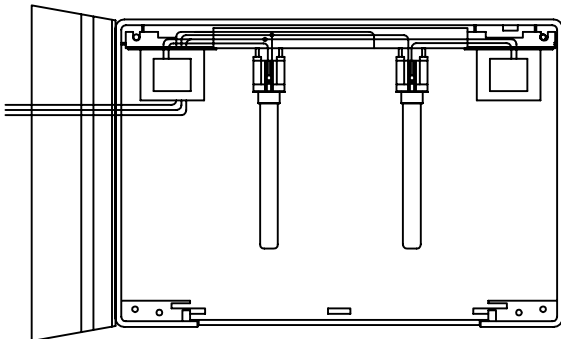
FLUORESCENT  
BACK MOUNT



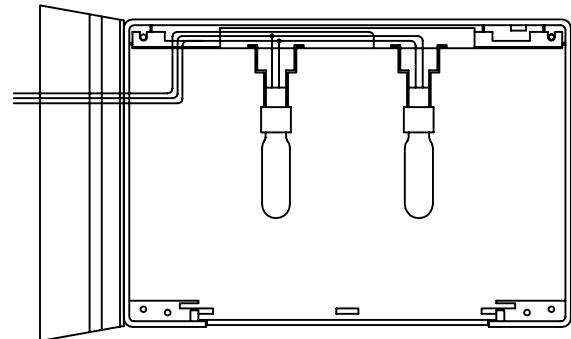
INCANDESCENT  
BACK MOUNT



FLUORESCENT  
SIDE MOUNT



INCANDESCENT  
SIDE MOUNT



- 1) PLACE ADHESIVE BACKED WIRE CLIPS IN INDICATED POSITIONS
- 2) CUT SLEEVING TO APPROXIMATE SIZE
- 3) FEED WIRES THROUGH SLEEVING AND ROUTE WIRES AS INDICATED