

ALUMINUM DIE-CAST LED EXIT SIGN

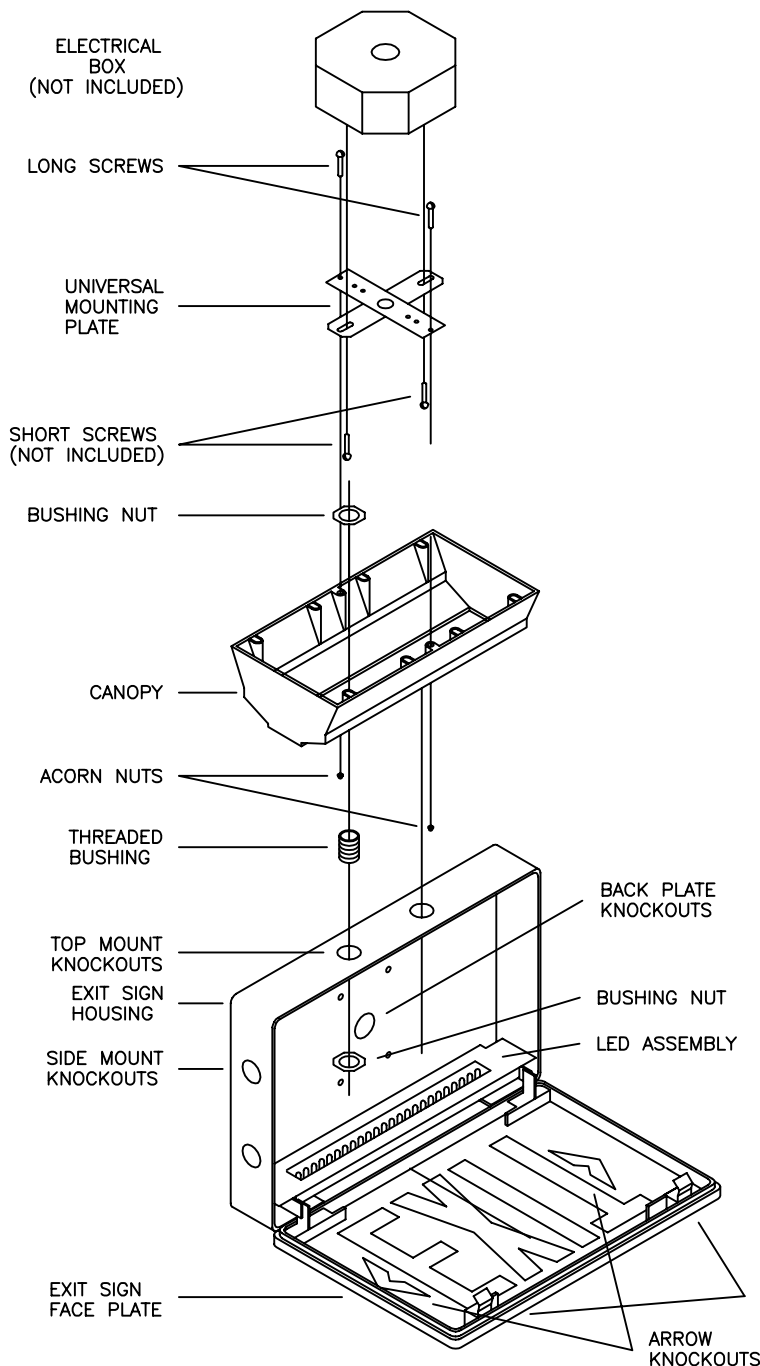
IMPORTANT SAFEGUARDS

WHEN USING ELECTRICAL EQUIPMENT, BASIC SAFETY PRECAUTIONS SHOULD ALWAYS BE FOLLOWED INCLUDING THE FOLLOWING:

READ AND FOLLOW ALL SAFETY INSTRUCTIONS

- 1) DO NOT USE OUTDOORS.
- 2) DO NOT LET POWER SUPPLY CORDS TOUCH HOT SURFACES.
- 3) DO NOT MOUNT NEAR GAS OR ELECTRIC HEATERS.
- 4) USE CAUTION WHEN SERVICING BATTERIES. BATTERY ACID CAN CAUSE BURNS TO SKIN AND EYES. IF ACID IS SPILLED ON SKIN OR IN EYES FLUSH WITH FRESH WATER AND CONTACT PHYSICIAN IMMEDIATELY.
- 5) EQUIPMENT SHOULD BE MOUNTED IN LOCATIONS AND AT HEIGHTS WHERE IT WILL NOT BE READILY SUBJECTED TO TAMPERING BY UNAUTHORIZED PERSONNEL.
- 6) THE USE OF ACCESSORY EQUIPMENT NOT RECOMMENDED BY THE MANUFACTURER MAY CAUSE AN UNSAFE CONDITION.
- 7) DO NOT USE THIS EQUIPMENT FOR OTHER THAN INTENDED USE.
- 8) CAUTION: SEALED LAMPS MAY HAVE INNER HALOGEN CYCLE BULB. THIS PRESSURE FILLED INNER BULB COULD SHATTER IF SCRATCHED OR DAMAGED. IF THE OUTER SEALED BEAM IS INTACT, THIS WILL BE NO PROBLEM. IF THE OUTER SEALED ENVELOPE IS BROKEN DO NOT OPERATE BUT REMOVE AND DISPOSE OF LAMP WITH CARE.

SAVE THESE INSTRUCTIONS



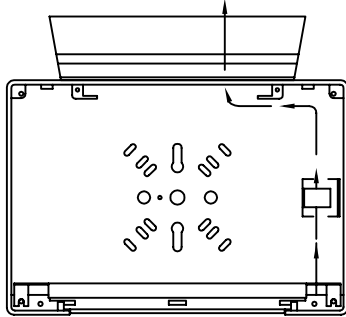
MOUNTING INSTRUCTIONS:

- 1) FOR ARROWS, REMOVE COLOR PANEL TO EXPOSE KNOCKOUTS. TAP OUT DESIRED ARROW(S) FROM THE INSIDE BEING CAREFUL NOT TO DAMAGE SURROUNDING AREA. REPLACE COLOR PANEL. WHEN REPLACING PEEL PROTECTIVE BACKING FROM DOUBLE SIDED ADHESIVE TAPE AND PRESS COLOR PANEL IN PLACE.
- 2) FOR BACK MOUNT UNITS, KNOCKOUT APPROPRIATE MOUNTING PATTERN AND ROUTE UNSWITCHED AC WIRES INTO EXIT SIGN HOUSING. MOUNT EXIT SIGN HOUSING TO JUNCTION BOX WITH SCREWS PROVIDED WITH JUNCTION BOX. SKIP INSTRUCTIONS 3-7.
- 3) FOR TOP AND SIDE MOUNTED UNITS REMOVE THE TWO APPROPRIATE ROUND KNOCKOUTS LOCATED ON THE TOP OR EITHER SIDE OF THE EXIT SIGN HOUSING FOR MOUNTING THE OPTIONAL CANOPY.
- 4) FASTEN CANOPY TO EXIT SIGN HOUSING USING THREADED BUSHING AND BUSHING NUTS PROVIDED.
- 5) SCREW LONG #8-32 SCREWS ALL THE WAY INTO THE UNIVERSAL MOUNTING PLATE IN THREADED HOLES SHOWN IN DIAGRAM.
- 6) MOUNT UNIVERSAL PLATE TO JUNCTION BOX WITH LONG #8-32 SCREWS FACING OUT.
- 7) ROUTE UNSWITCHED AC WIRES INTO UNIT. FASTEN EXIT SIGN HOUSING AND CANOPY TO THE UNIVERSAL MOUNTING PLATE AND JUNCTION BOX USING (2) ACORN NUTS PROVIDED.
- 8) CONNECT THE UNSWITCHED AC WIRES AS FOLLOWS; FOR 120V UNITS: 120V TO BLACK WIRE AND COMMON TO WHITE WIRE. FOR 277V UNITS: 277V TO VIOLET WIRE AND COMMON TO WHITE WIRE. ISOLATE UNUSED BLACK (120V) OR VIOLET (277V) WIRE USING WIRE NUT PROVIDED ON THE VIOLET (277V) WIRE.
- 9) GROUND UNIT IN ACCORDANCE WITH THE REQUIREMENTS OF THE NATIONAL ELECTRICAL CODE USING GREEN GROUND WIRE PROVIDED.
- 10) ROUTE AND DRESS ALL WIRES AROUND PERIMETER OF THE EXIT SIGN HOUSING USING ADHESIVE WIRE RETAINER(S) SO THEY WILL BE OUT OF THE WAY.
- 11) ENERGIZE UNSWITCHED AC POWER SUPPLY, THE LED EXIT SIGN WILL ILLUMINATE.
- 12) IF YOU HAVE A BATTERY BACKUP UNIT MAKE BATTERY CONNECTIONS AND CHARGE BATTERY FOR 24 HOURS. PRESS TEST SWITCH. LED LAMPS WILL MOMENTARILY BLINK AND THEN ILLUMINATE DURING TEST.

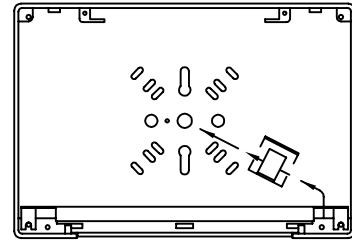
NOTE :SERVICING SHOULD BE PERFORMED BY QUALIFIED SERVICE PERSONNEL .

WIRE ROUTING INSTRUCTIONS

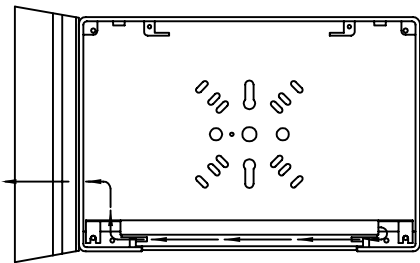
TOP MOUNT



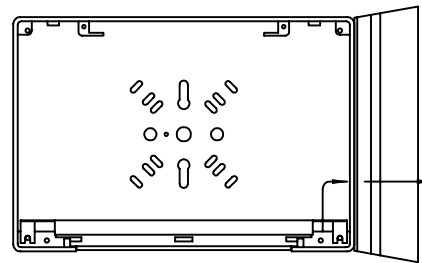
BACK MOUNT



END MOUNT



END MOUNT



- 1) PLACE ADHESIVE BACKED WIRE CLIP IN INDICATED POSITION
(TOP & BACK MOUNT UNITS ONLY)
- 2) CUT SLEEVING TO APPROXIMATE SIZE TO COVER WIRES BEING ROUTED
- 3) FEED WIRES THROUGH SLEEVING AND ROUTE WIRES AS INDICATED