

ESDX, 2ESDX LED EXIT SIGN

IMPORTANT SAFEGUARDS

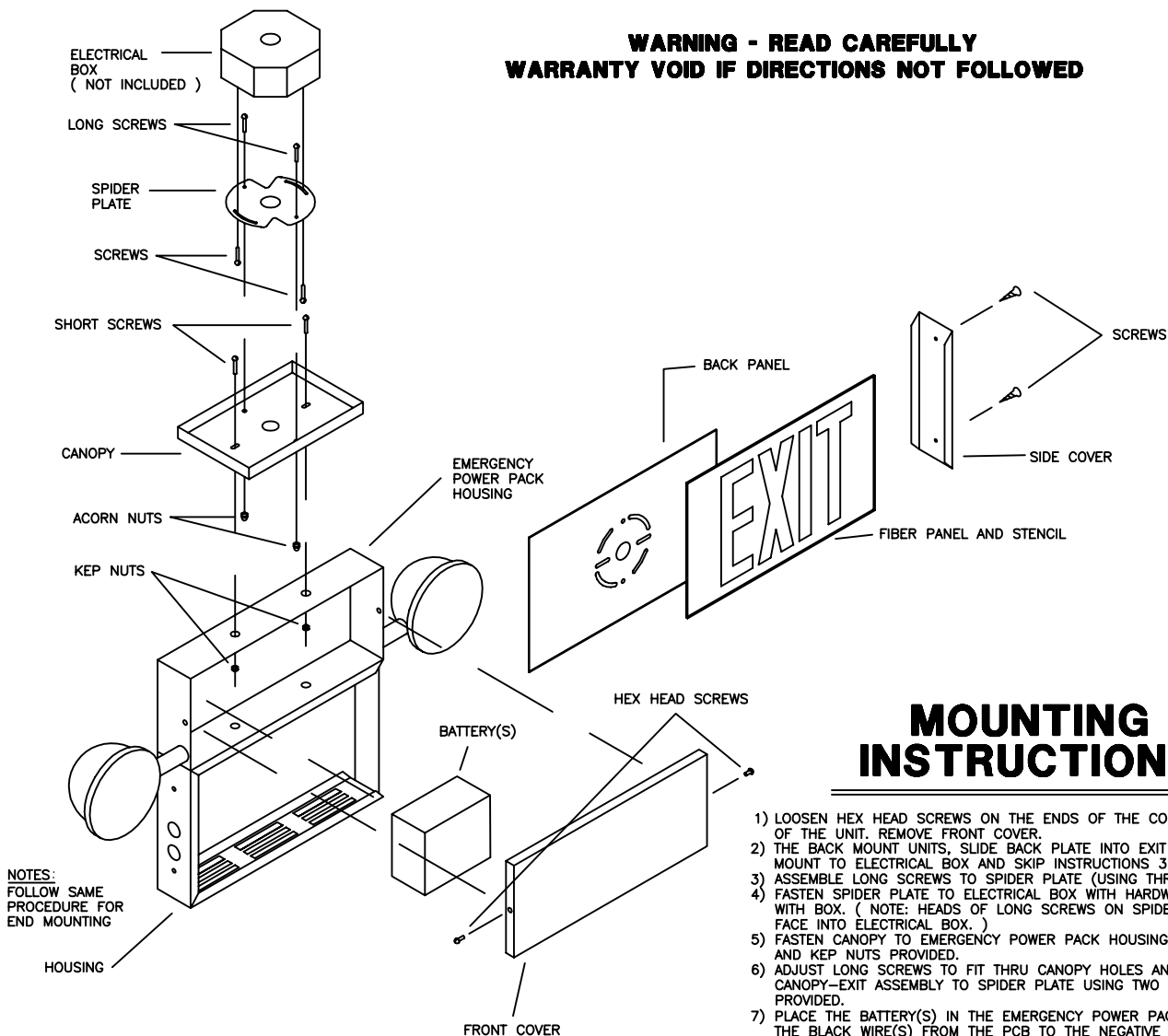
WHEN USING ELECTRICAL EQUIPMENT, BASIC SAFETY PRECAUTIONS SHOULD ALWAYS BE FOLLOWED INCLUDING THE FOLLOWING:

READ AND FOLLOW ALL SAFETY INSTRUCTIONS

- 1) DO NOT USE OUTDOORS.
- 2) DO NOT LET POWER SUPPLY CORDS TOUCH HOT SURFACES.
- 3) DO NOT MOUNT NEAR GAS OR ELECTRIC HEATERS.
- 4) USE CAUTION WHEN SERVICING BATTERIES. BATTERY ACID CAN CAUSE BURNS TO SKIN AND EYES. IF ACID IS SPILLED ON SKIN OR IN EYES FLUSH WITH FRESH WATER AND CONTACT PHYSICIAN IMMEDIATELY.
- 5) EQUIPMENT SHOULD BE MOUNTED IN LOCATIONS AND AT HEIGHTS WHERE IT WILL NOT BE READILY SUBJECTED TO TAMPERING BY UNAUTHORIZED PERSONNEL.
- 6) THE USE OF ACCESSORY EQUIPMENT NOT RECOMMENDED BY THE MANUFACTURER MAY CAUSE AN UNSAFE CONDITION.
- 7) DO NOT USE THIS EQUIPMENT FOR OTHER THAN INTENDED USE.
- 8) CAUTION: SEALED LAMPS MAY HAVE INNER HALOGEN CYCLE BULB. THIS PRESSURE FILLED INNER BULB COULD SHATTER IF SCRATCHED OR DAMAGED. IF THE OUTER SEALED BEAM IS INTACT, THIS WILL BE NO PROBLEM. IF THE OUTER SEALED ENVELOPE IS BROKEN DO NOT OPERATE BUT REMOVE AND DISPOSE OF LAMP WITH CARE.

SAVE THESE INSTRUCTIONS

**WARNING - READ CAREFULLY
WARRANTY VOID IF DIRECTIONS NOT FOLLOWED**



NOTES:
FOLLOW SAME
PROCEDURE FOR
END MOUNTING

MOUNTING INSTRUCTIONS:

- 1) LOOSEN HEX HEAD SCREWS ON THE ENDS OF THE CONTAINER NEAR FRONT OF THE UNIT. REMOVE FRONT COVER.
- 2) THE BACK MOUNT UNITS, SLIDE BACK PLATE INTO EXIT SIGN HOUSING AND MOUNT TO ELECTRICAL BOX AND SKIP INSTRUCTIONS 3-6.
- 3) ASSEMBLE LONG SCREWS TO SPIDER PLATE (USING THREADED HOLES)
- 4) FASTEN SPIDER PLATE TO ELECTRICAL BOX WITH HARDWARE SUPPLIED WITH BOX. (NOTE: HEADS OF LONG SCREWS ON SPIDER PLATE SHOULD FACE INTO ELECTRICAL BOX.)
- 5) FASTEN CANOPY TO EMERGENCY POWER PACK HOUSING USING SHORT SCREWS AND KEP NUTS PROVIDED.
- 6) ADJUST LONG SCREWS TO FIT THRU CANOPY HOLES AND FASTEN CANOPY-EXIT ASSEMBLY TO SPIDER PLATE USING TWO ACORN NUTS PROVIDED.
- 7) PLACE THE BATTERY(S) IN THE EMERGENCY POWER PACK HOUSING. ATTACH THE BLACK WIRE(S) FROM THE PCB TO THE NEGATIVE BATTERY TERMINAL(S) AND THE RED WIRE(S) TO THE POSITIVE BATTERY TERMINAL(S).
- 8) CONNECT UNIT TO AN UNSWITCHED SINGLE A.C. POWER SOURCE OF 120VAC OR 277VAC. RED LED SHOULD BECOME ILLUMINATED INDICATING AC POWER ON.
- 9) REPLACE FRONT COVER ON CONTAINER AND TIGHTEN HEX HEAD SCREWS.
- 10) APPLY A.C. POWER. RED/AMBER PILOT LIGHT SHOULD TURN ON INDICATING "A.C.ON".
- 11) ALLOW THE BATTERY TO CHARGE FOR AT LEAST 24 HOURS. THEN USE 117-0671 "SELF DIAGNOSTIC" INSTRUCTION SHEET FOR TESTING.
- 12) RECORD MODEL NUMBER, SERIAL NUMBER AND INSTALLATION DATE ON THE TEST SERVICE LOG CARD. PERFORM INITIAL TEST AND RECORD AS REQUIRED BY THE NATIONAL ELECTRICAL CODE.

ELECTRICAL DIAGRAMS

NOTE: SERVICING SHOULD BE PERFORMED BY QUALIFIED SERVICE PERSONNEL. IF THE UNIT MALFUNCTIONS, DISCONNECT FROM POWER SUPPLY AND CONTACT BIG BEAM EMERGENCY SYSTEMS, INC. OR THE LOCAL BIG BEAM EMERGENCY SYSTEMS, INC. REPRESENTATIVE, WRITTEN AUTHORIZATION MUST BE OBTAINED PRIOR TO THE PREPAID RETURN OF ANY EQUIPMENT. THE BATTERY(S) MUST ALWAYS BE PROPERLY MARKED AND SHIPPED SEPARATELY.

**BIG BEAM
EMERGENCY SYSTEMS, INC.**
290 EAST PRAIRIE STREET, P.O.BOX 518
CRYSTAL LAKE, IL 60039-0518
PHONE: (815) 459-6143
FAX: (815) 459-6126
web site www.bigbeam.com
email info@bigbeam.com