

# CL & MQ SERIES

## EMERGENCY LIGHT

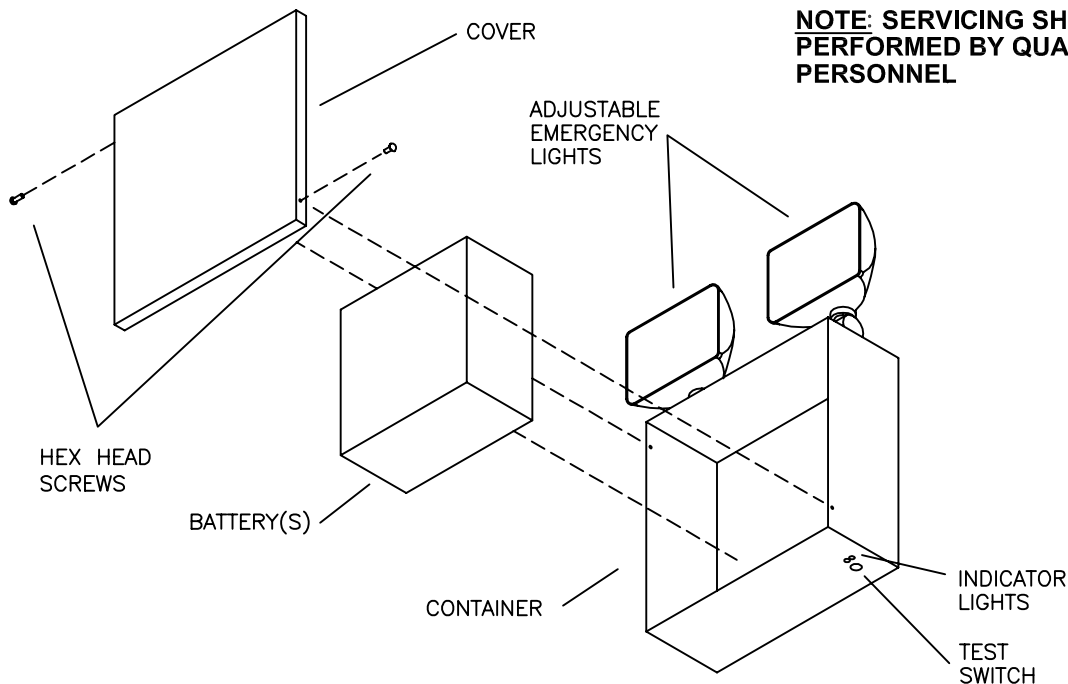
### IMPORTANT SAFEGUARDS

WHEN USING ELECTRICAL EQUIPMENT, BASIC SAFETY PRECAUTIONS SHOULD ALWAYS BE FOLLOWED INCLUDING THE FOLLOWING:

### READ AND FOLLOW ALL SAFETY INSTRUCTIONS

- 1) DO NOT USE OUTDOORS.
- 2) DO NOT LET POWER SUPPLY CORDS TOUCH HOT SURFACES.
- 3) DO NOT MOUNT NEAR GAS OR ELECTRIC HEATERS.
- 4) USE CAUTION WHEN SERVICING BATTERIES. BATTERY ACID CAN CAUSE BURNS TO SKIN AND EYES. IF ACID IS SPILLED ON SKIN OR IN EYES FLUSH WITH FRESH WATER AND CONTACT PHYSICIAN IMMEDIATELY.
- 5) EQUIPMENT SHOULD BE MOUNTED IN LOCATIONS AND AT HEIGHTS WHERE IT WILL NOT BE READILY SUBJECTED TO TAMPERING BY UNAUTHORIZED PERSONNEL.
- 6) THE USE OF ACCESSORY EQUIPMENT NOT RECOMMENDED BY THE MANUFACTURER MAY CAUSE AN UNSAFE CONDITION.
- 7) DO NOT USE THIS EQUIPMENT FOR OTHER THAN INTENDED USE.
- 8) CAUTION: SEALED LAMPS MAY HAVE INNER HALOGEN CYCLE BULB. THIS PRESSURE FILLED INNER BULB COULD SHATTER IF SCRATCHED OR DAMAGED. IF THE OUTER SEALED BEAM IS INTACT, THIS WILL BE NO PROBLEM. IF THE OUTER SEALED ENVELOPE IS BROKEN DO NOT OPERATE BUT REMOVE AND DISPOSE OF LAMP WITH CARE.

### SAVE THESE INSTRUCTIONS



**NOTE: SERVICING SHOULD BE PERFORMED BY QUALIFIED SERVICE PERSONNEL**

### INSTALLATION INSTRUCTIONS:

**WARNING - READ CAREFULLY WARRANTY VOID IF DIRECTIONS NOT FOLLOWED.**

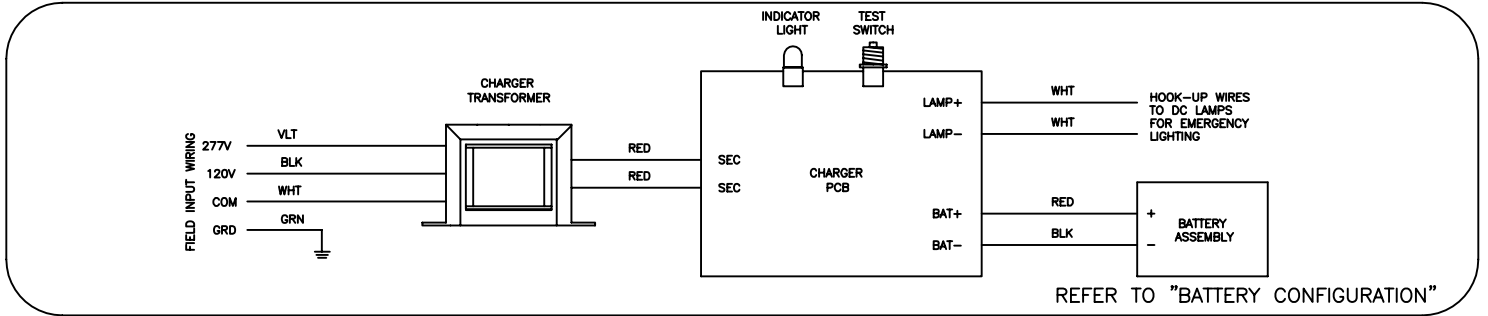
- 1) Loosen hex head screws on the ends of the container near the front of the unit. Remove the front cover.
- 2) Mount the unit in the desired location.
- 3) Run conduit and the AC wires to the unit.  
AC input conduit knockouts are provided on the side and the back of the container. Alternate knockouts for remote lamp connections are provided.
- 4) Connect the battery to the unit.  
Battery(-) to the black wire from the circuit board and battery(+) to the red wire from the circuit board.
- 5) Install the battery(s) into the unit with the terminals in the direction of the top of the unit or the circuit board.
- 6) Connect the unit to an unswitched single AC power source of 120VAC or 277VAC.  
For 120 volt connection. Connect the 120V AC wire to the black transformer wire and the COM. wire to the white transformer wire.  
For 277 volt connection. Connect the 277V AC wire to the violet transformer wire and the COM. wire to the white transformer wire.  
Isolate the unused black (120VAC) or the violet (277VAC) transformer wire using the wire nut provided on the violet (277VAC) wire.
- 7) Ground the unit in accordance with the requirements of the national electrical code.
- 8) Replace the front cover on the unit and tighten the hex head screws removed earlier.
- 9) Apply AC power to the unit.  
The red indicator light should illuminate indicating "AC ON".  
Push the test switch the emergency light(s) should light up.
- 10) Within 24 hours the green indicator light should be illuminated indicating a trickle charge. (If applicable).

Record the model number, date code, and installation date on the test service log card. perform the initial test and record as required by the national electrical code.

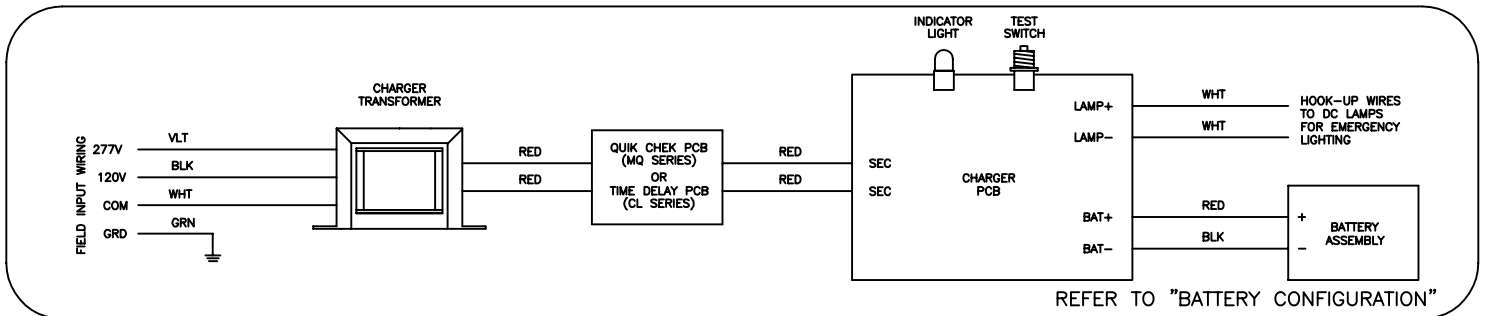
# ELECTRICAL DIAGRAMS

**NOTE:** SERVICING SHOULD BE PERFORMED BY QUALIFIED SERVICE PERSONNEL. IF THE UNIT MALFUNCTIONS, DISCONNECT FROM POWER SUPPLY AND CONTACT BIG BEAM EMERGENCY SYSTEMS, INC. OR THE LOCAL BIG BEAM EMERGENCY SYSTEMS, INC. REPRESENTATIVE, WRITTEN AUTHORIZATION MUST BE OBTAINED PRIOR TO THE PREPAID RETURN OF ANY EQUIPMENT. THE BATTERY(S) MUST ALWAYS BE PROPERLY MARKED AND SHIPPED SEPARATELY.

## CL SERIES

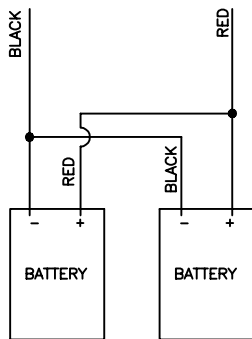


## MQ SERIES or CL SERIES with time delay



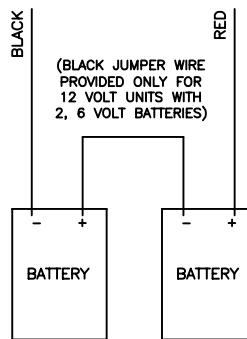
## BATTERY CONFIGURATION

6V UNIT  
WITH 2 BATTERIES



(BATTERIES TO BE IN PARALLEL)

12V UNIT  
WITH 2 BATTERIES



(BATTERIES TO BE IN SERIES)

**BIG BEAM  
EMERGENCY SYSTEMS, INC.**  
290 EAST PRAIRIE STREET, P.O. BOX 518  
CRYSTAL LAKE, IL 60039-0518  
PHONE: (815) 459-6143  
FAX: (815) 459-6126  
web site [www.bigbeam.com](http://www.bigbeam.com)  
email [info@bigbeam.com](mailto:info@bigbeam.com)