

# E4X EMERGENCY EXIT SIGNS

FLUORESCENT & INCANDESCENT

## IMPORTANT SAFEGUARDS

WHEN USING ELECTRICAL EQUIPMENT, BASIC SAFETY PRECAUTIONS SHOULD ALWAYS BE FOLLOWED INCLUDING THE FOLLOWING:

### READ AND FOLLOW ALL SAFETY INSTRUCTIONS

- 1) DO NOT USE OUTDOORS.
- 2) DO NOT LET POWER SUPPLY CORDS TOUCH HOT SURFACES.
- 3) DO NOT MOUNT NEAR GAS OR ELECTRIC HEATERS.
- 4) USE CAUTION WHEN SERVICING BATTERIES. BATTERY ACID CAN CAUSE BURNS TO SKIN AND EYES. IF ACID IS SPILLED ON SKIN OR IN EYES FLUSH WITH FRESH WATER AND CONTACT PHYSICIAN IMMEDIATELY.
- 5) EQUIPMENT SHOULD BE MOUNTED IN LOCATIONS AND AT HEIGHTS WHERE IT WILL NOT BE READILY SUBJECTED TO TAMPERING BY UNAUTHORIZED PERSONNEL.
- 6) THE USE OF ACCESSORY EQUIPMENT NOT RECOMMENDED BY THE MANUFACTURER MAY CAUSE AN UNSAFE CONDITION.
- 7) DO NOT USE THIS EQUIPMENT FOR OTHER THAN INTENDED USE.
- 8) CAUTION: SEALED LAMPS MAY HAVE INNER HALOGEN CYCLE BULB. THIS PRESSURE FILLED INNER BULB COULD SHATTER IF SCRATCHED OR DAMAGED. IF THE OUTER SEALED BEAM IS INTACT, THIS WILL BE NO PROBLEM. IF THE OUTER SEALED ENVELOPE IS BROKEN DO NOT OPERATE BUT REMOVE AND DISPOSE OF LAMP WITH CARE.

## SAVE THESE INSTRUCTIONS

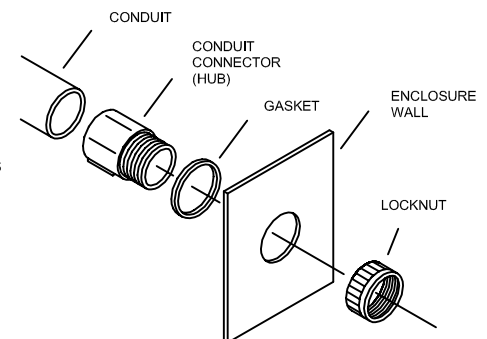
## MOUNTING INSTRUCTIONS

MAKE CERTAIN POWER IS OFF BEFORE PROCEEDING!

- 1) For units with arrows, loosen the two screws on the top of the exit sign and open the the cover. Place the unit on a flat surface so the face of the exit is supported, being careful not to scratch the face. Remove the stencil by loosening the four nuts just enough to relieve the pressure plates holding it in place and sliding it out of the cover. Remove the appropriate arrow knockout(s) and reinstall the stencil by following this direction in reverse keeping support on the cover.
- 2) Unscrew the four screws holding the legs of the electronic bracket to the back of the exit sign, disconnect the wires and remove the electronic bracket from the exit sign.
- 3) Route unswitched AC service to the location. Using the conduit instructions below mount the conduit to the exit sign enclosure using a waterproof conduit hub (not provided). Mount the exit sign enclosure to the wall using the four mounting holes located on the outside sides of the exit sign.
- 4) Connect the unswitched AC wires to the electronic bracket as follows;  
120V connection: Connect the 120V wire to the black wire and the common to the white wire.  
277V connection: Connect the 277V wire to the violet wire and the common to the white wire.  
Both: isolate the unused black (120V) or violet (277V) wire using the wire nut provided on the violet (277V) wire. Ground the unit in accordance with the requirements of the National Electrical Code using the green wire provided.
- 5) Replace the electronic bracket in the exit sign using the four original screws that held it in place after reconnecting all the wire connections back together.
- 6) Energize the unswitched AC power supply, the exit sign will illuminate.  
If you have a battery backup unit make the battery connections and charge the battery for 24 hours.
- 7) Close the cover and tighten the two screws on the front of the unit.
- 8) After the battery has charged press the test switch. the lamps will momentarily blink and then illuminate during the test.

## CONDUIT INSTRUCTIONS

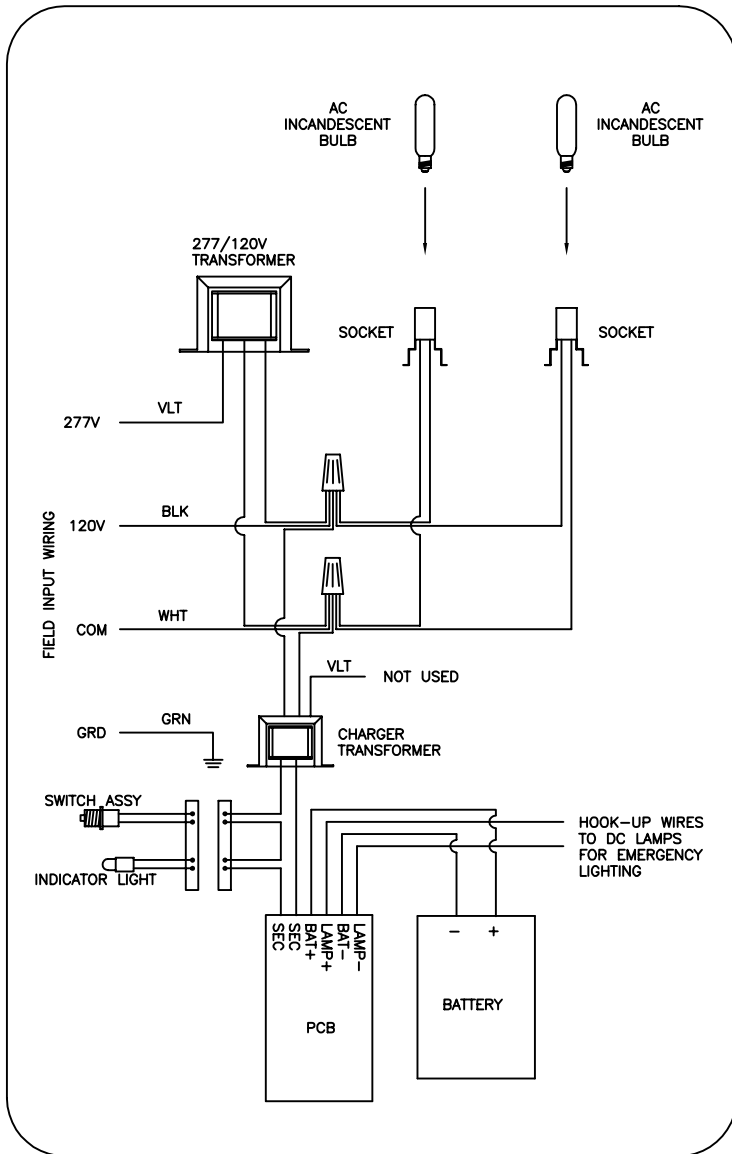
CUT HOLES IN ENCLOSURE AT THE DESIRED LOCATION. THE USE OF A STANDARD HOLE SAW IS THE PREFERRED METHOD. ( NOTE ENCLOSURES DRILLED FOR CONDUIT OR OTHER MODIFICATIONS MAY NOT BE RETURNED FOR CREDIT. ) FIRST SECURE THE CONDUIT CONNECTOR (HUB) ONTO THE CONDUIT. THEN SECURE THE CONDUIT CONNECTOR (HUB) INTO THE PREPARED ENCLOSURE HOLE USING THE CONNECTOR LOCKNUT. CAUTION: IN ORDER TO PREVENT ENCLOSURE DAMAGE AND MAINTAIN THE ENCLOSURE REQUIREMENTS, THE CONDUIT SHOULD BE ALIGNED SO AS TO PREVENT UNNECESSARY STRESS ON THE ENCLOSURE WALLS. IN ORDER TO OBTAIN MAXIMUM CORROSION PROTECTION, WITH METALLIC CONDUIT AND HUB ASSEMBLIES, COVER (COAT) ALL EXPOSED METAL AND SEAL OFF THE CONDUIT OPENINGS WHERE THE CONDUCTORS ENTER THE ENCLOSURE.



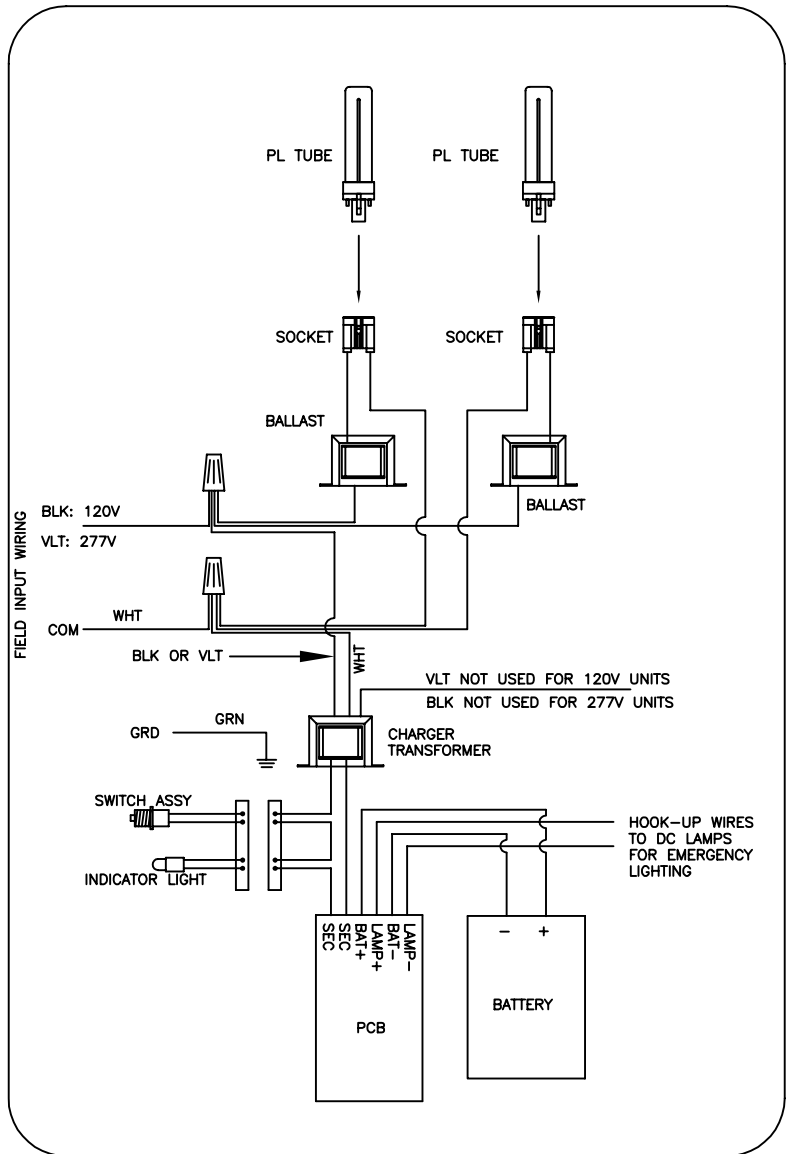
# ELECTRICAL DIAGRAMS

**NOTE:** SERVICING SHOULD BE PERFORMED BY QUALIFIED SERVICE PERSONNEL. IF THE UNIT MALFUNCTIONS, DISCONNECT FROM POWER SUPPLY AND CONTACT BIG BEAM EMERGENCY SYSTEMS, INC. OR THE LOCAL BIG BEAM EMERGENCY SYSTEMS, INC. REPRESENTATIVE, WRITTEN AUTHORIZATION MUST BE OBTAINED PRIOR TO THE PREPAID RETURN OF ANY EQUIPMENT. THE BATTERY(S) MUST ALWAYS BE PROPERLY MARKED AND SHIPPED SEPARATELY.

## INCANDESCENT UNITS



## FLUORESCENT UNITS



**BIG BEAM  
EMERGENCY SYSTEMS, INC.**  
290 EAST PRAIRIE STREET, P.O. BOX 518  
CRYSTAL LAKE, IL 60039-0518  
PHONE: (815) 459-6143  
FAX: (815) 459-6126  
web site [www.bigbeam.com](http://www.bigbeam.com)  
email [info@bigbeam.com](mailto:info@bigbeam.com)