

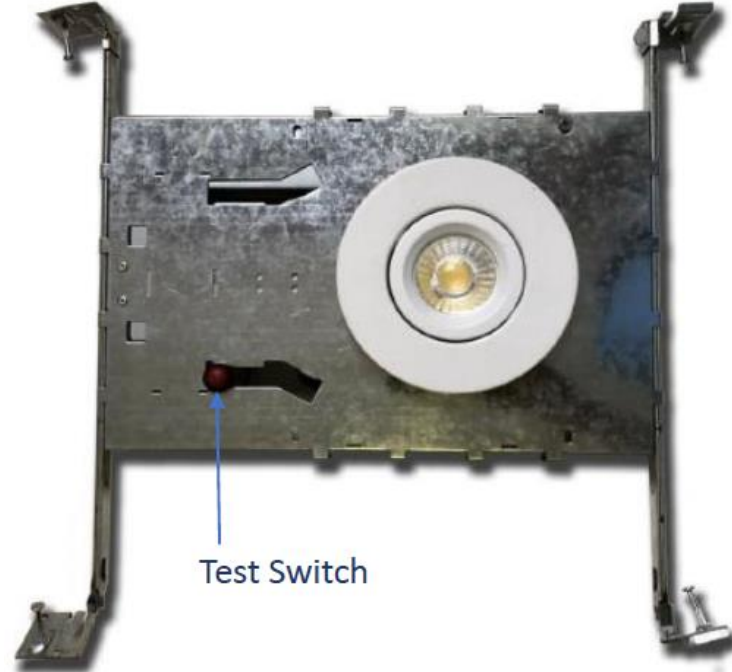
The BBNCDL is a new construction Downlight that comes with an integrated battery backup and test switch. 120V- 277V, minimum runtime of 90 minutes in emergency mode. Available in 2700K, 3000K, 4000K, 5000K. 3" and 4"

### FEATURES

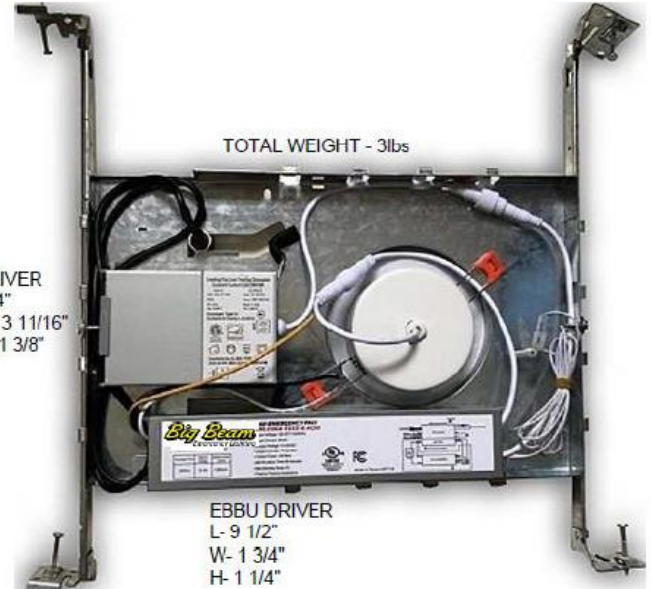
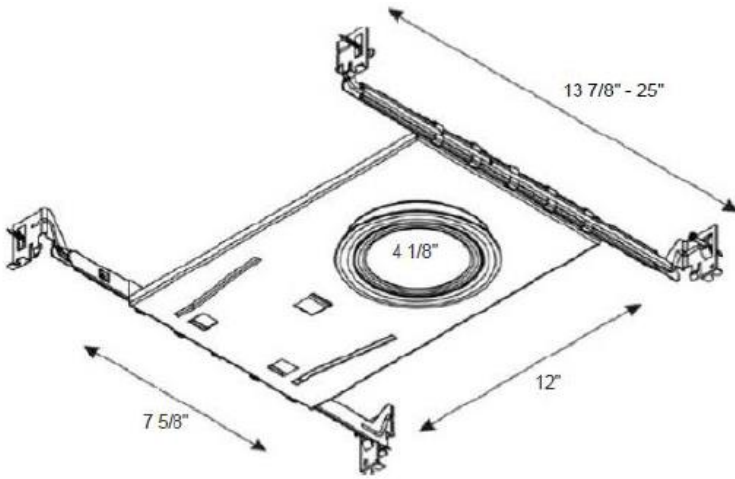
- 120V-277V
- 9W COB LED Downlight Fixture
- 80-90lms/w
- 4W Emergency Battery Backup and Test Switch
- 3" & 4" Gimbal
- 2700K, 3000K, 4000K & 5000K Kelvin Temps
- White Trim Standard
- 100V-277V
- CRI>80
- ETL Listed, Energy Star, CE, RoHS
- Consult Factory for Further Information

### WARRANTY

3 Year Warranty



Test Switch



TOTAL WEIGHT - 3lbs

DRIVER  
L- 4"  
W- 3 11/16"  
H- 1 3/8"

EBBU DRIVER  
L- 9 1/2"  
W- 1 3/4"  
H- 1 1/4"

- **Cut the power before installation**
- **Drill screws into existing strip to mount**
- **Dry location only**
- **Ensure the fixture is securely mounted and wired properly before turning the power back on**
- **Product failure caused by misuse, improper wiring, modifications and power surges will not be honored under warranty.**

Series	Size	Battery Backup	Color Temp	Options
BBNCDL	3 = 3" (9W)	4 = 4W	2700K	-NBBU = No Battery Backup
	4 = 4" (9W)		3000K	
			4000K	
			5000K	