

LIFELIGHT

SPECIFICATIONS

The Lifelight maintains efficient AC Emergency Power to operate all emergency lighting fixtures at "full-light" output, providing superior dependability and security to commercial/industrial environments in a small footprint.

POWER RATING

- 4.7 KW - 21 KW (or 4,700 Watts - 21,000 Watts) single phase output unit uses the latest DSP/PWM technology to provide the most advanced performance and reliability features

INPUT

- 120V, 208V, 240V, 277V, or 480V input 60Hz

OUTPUT

- 120V, 277V, 480V, 120/240 or 120/277VAC output 60Hz. True "on-line" design is $\geq 92\%$ efficient at 100% linear load

BATTERIES

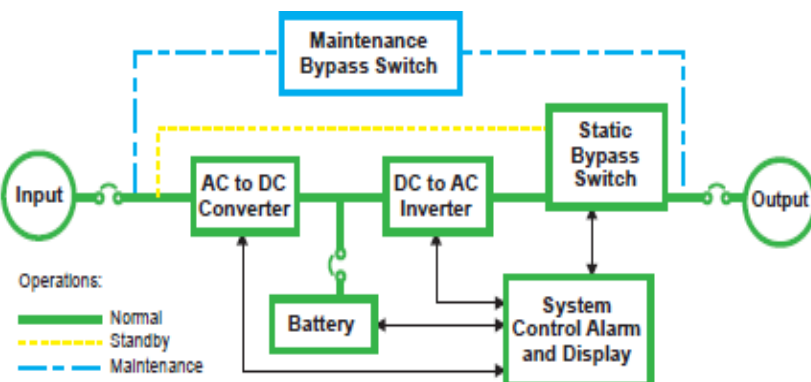
- Sealed, maintenance-free, lead calcium (AGM) batteries
- 10-Year prorated warranty
- *Smart Battery Monitoring System* is **TEMPERATURE COMPENSATED** maintaining maximum runtime and battery life
- Microprocessor controlled recharge and DSP/PWM overcharge protection standard

LAMPS & LOADS

- Emergency power provides **FULL LIGHT OUTPUT** from all lamps and fixtures for the entire runtime
- Operates fluorescent, compact fluorescent, incandescent, quartz, H.I.D., LED and other lamp types
- Standard or electronic ballasts, dimming devices or panels, sensors and most control equipment
- Standard or LED Exits and other safety equipment

CODES

- UL 924, UL 1778, meets NFPA 101, NFPA 70, NEC and OSHA standards
- Cities of Chicago and New York approved
- Complies with the Buy American Act



4.7 KW - 21 KW

Single Phase

Uninterrupted
Emergency
Lighting and
Power
Systems



PROTECTION

- Provides overload, surge and undercurrent protection using *Watchdog Software* to protect system performance and reliability
- Surge protection against load surges as defined in ANSI/IEEE C62.45 category A and B

DIAGNOSTICS & MAINTENANCE

- *Watchdog Software* provides complete self diagnostic capabilities and LED Monitoring
- Informative advanced Display and Alarms keep you in control of your emergency lighting environment 24/7
- Automatically performs periodic self-tests ensuring a safely lighted environment *prior* to an emergency
- Single point of testing instead of multiple testing points with battery packs

CABINET

- Space saving small footprint
- Modular design enables flexible installation

INSTALLATION

- Modular design and small footprint allow easy installation in electrical closet or other convenient locations
- Phone assisted factory start-up standard for all systems
- Extended warranty available

SPECIAL APPLICATIONS

- DSPM offers numerous UL924 optional devices to meet unusual or difficult application parameters
- ECM - Environmental Circuit Module allows fixtures and lamps on the emergency circuit(s) to be operated by normal switching and/or dimming devices in NON-emergency conditions
- Dimming Panel Interface allows use with emergency lights controlled by common dimmer panel

WARRANTY

- 1-Year full warranty on system electronics
- Battery warranty 1-year with 9-years pro-rated
- System 1-year on-site warranty labor with DSPM
- phone assisted start-up
- 5-Year powertrain warranty
- Maintenance contracts available



MINI SERIES	POWER RATING	CABINET DIMENSIONS			WEIGHT (lbs)	BRITISH THERMAL	BATTERY TYPE	VOLTAGE		OUTPUT PROTECTION	SAFETY APPROVALS
		W	H	D		UNIT's		Input	Output		
UPSS	KVA/KW					BTU's					UL924
	4.7	42"	71"	22.5"	1200	1278.4	Sealed Maintenance free (AGM) lead calcium	120	120	Input and Output Circuit Breakers STANDARD	UL1778
	5.25	42"	71"	22.5"	1200	1428		208	277		NFPA 101
	7	42"	71"	22.5"	1450	1904		240	480		NFPA 70
	8	42"	71"	22.5"	1450	2176		277	120/240		NEC
	10	42"	71"	22.5"	1820	2720		480	120/277		
	12	42"	71"	22.5"	2210	3264					
	14	42"	71"	22.5"	2550	3808					
	18	42"	71"	22.5"	3750	4896					
	21	42"	71"	22.5"	4375	5712					

Note: Optional smaller cabinet for 4.7 to 14KW with dimensions 40x48x36. Please contact us for more information

The Lifelight provides the simplicity and reliability that is critical when providing an alternative source of power to any environment. Easy installation ..."simplicity"...connect the Lifelight to the emergency circuit(s) and everything is backed up..."reliability"...during a power outage. All lighting connected to the Plus will simply continue to operate at "full light output". Watchdog© software keeps your environment safe while self-diagnostics help maintain equipment to a high standard. Superior surge suppression assures the highest quality of power being delivered to all loads, all the time. Equipment and lamp life are maximized.

We sincerely hope you never experience a real emergency, but if you do, you deserve the **security, safety** and **peace of mind** that the Lifelight ensures.

ORDERING INFORMATION

Choose the bold face catalog nomenclature that best suits your needs. Write them on the appropriate line. Order accessories as separate catalog number.

Example:

UPSS-8.0-120/277-ECM277/3 OCB/277/3/20/1-30

Description of Example:

(8.0 KW, 120 voltage in, 277 voltage out, 3 277V Environmental Control Modules, 3 Output 277 Voltage Circuit Breakers at 20amps, 2 pole, 30 minute run time)

UPSS-FAMILY	4.7- POWER RATING	120/120- VOLTAGE	240/120-240- VOLTAGE	ECM120- OPTIONS	90 TIME
	KW	<u>Input/Output</u>	<u>Input/output</u>	ECM120 - 120V Environmental control module / qty	<u>Minutes</u>
	4.7	120/120	240/120-240	ECM277 - 277V Environmental control module / qty	5
	5.25	120/277	240/120-277	NOF - Normally OFF output circuit/voltage / qty/pole	10
	7	120/480	277/120	NOH - Normally OFF "Hold ON"/voltage/qty/pole	15
	8	120/120-240	277/277	OCB - Output circuit breakers / voltage / quantity/amps/pole	20
	10	120/120-277	277/480	EPO - Emergency power off	25
	12	208/120	277/120-240	RSSP - Remote Indicator Panel	30
	14	208/277	277/120-277	SNMP - SNMP Card	45
	18	208/480	480/120	FC - Form C Contacts	60
	21	208/120-240	480/277	SRB - Seismic rated bracket	90 (Standard)
		208/120-277	480/480	STU1 - Onsite start-up	120
		240/120	480/120-240	IDB - Internal dimmer bypass	180
		240/277	480/120-277	EMB - External maintenance bypass switch	240
		240/480		EW - Extended warranty	

1. Consult with factory for other voltage requirements. Special voltages may effect the weight, size and number or cabinets
2. One ECM is used per switching device or circuit.
3. Consult with factory for other run times.

SPECIFICATIONS SUBJECT TO CHANGE WITHOUT NOTICE.