

LIFELIGHT MICRO

SPECIFICATIONS

The Lifelight Micro maintains efficient AC Emergency Power to operate all emergency lighting fixtures at "full-light" output, providing superior dependability and security to commercial/industrial environments in a small footprint.

POWER RATING

75 Watts - 300 Watts single phase output unit uses the latest technology to provide the most advanced performance and reliability features

INPUT

- 120V or 277V input 60Hz

OUTPUT

- 120V or 277VAC. Stand-by design is $\geq 99\%$ efficient at 100% linear load

BATTERIES

- Sealed, maintenance-free, lead calcium (AGM) batteries
- 10-Year prorated warranty
- *Smart Battery Monitoring System* is **TEMPERATURE COMPENSATED** maintaining maximum runtime and battery life
- Microprocessor controlled recharge and DSP/PWM overcharge protection standard

LAMPS & LOADS

- Emergency power provides **FULL LIGHT OUTPUT** from all lamps and fixtures for the entire runtime
- Operates fluorescent, compact fluorescent, incandescent, quartz, H.I.D., LED and other lamp types
- Standard or electronic ballasts, dimming devices or panels, sensors and most control equipment
- Standard or LED Exits and other safety equipment

CODES

- UL 924, UL 1778, meets NFPA 101, NFPA 70, NEC and OSHA standards
- Cities of Chicago and New York approved
- Complies with the Buy American Act

75 W - 300 W

Single Phase

Stand-By
Emergency
Lighting and
Power
Systems



PROTECTION

- Provides overload, surge and undercurrent protection using *Watchdog Software* to protect system performance and reliability
- Surge protection against load surges as defined in ANSI/IEEE C62.45 category A and B

DIAGNOSTICS & MAINTENANCE

- *Watchdog Software* provides complete self diagnostic capabilities and LED Monitoring
- Informative advanced Display and Alarms keep you in control of your emergency lighting environment 24/7
- Automatically performs periodic self-tests ensuring a safely lighted environment *prior* to an emergency
- Single point of testing instead of multiple testing points with battery packs

CABINET

- Space saving small footprint
- Modular design enables flexible installation

INSTALLATION

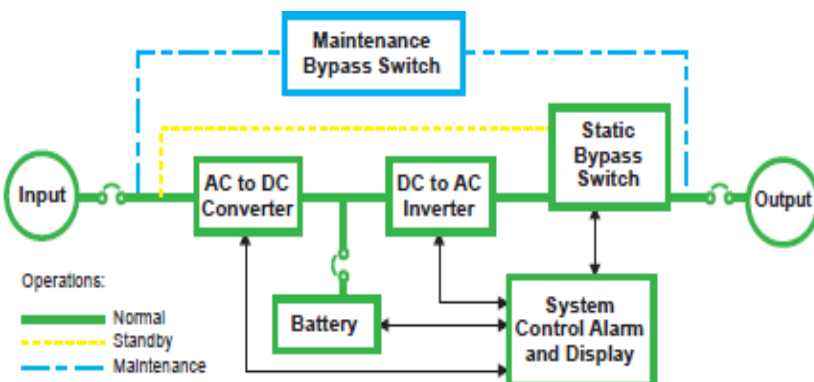
- Modular design and small footprint allow easy installation in electrical closet or other convenient locations
- Phone assisted factory start-up standard for all systems
- Extended warranty available

SPECIAL APPLICATIONS

- Numerous UL924 optional devices to meet unusual or difficult application parameters
- ECM - Environmental Circuit Module allows fixtures and lamps on the emergency circuit(s) to be operated by normal switching and/or dimming devices in NON-emergency conditions
- Dimming Panel Interface allows use with emergency lights controlled by common dimmer panel

WARRANTY

- 1-Year full warranty on system electronics
- Battery warranty 1-year with 9-years pro-rated
- System 1-year on-site warranty labor with DSPM phone assisted start-up
- 5-Year powertrain warranty
- Maintenance contracts available





MICRO SERIES	POWER RATING VA/W	CABINET DIMENSIONS			WEIGHT (lbs)	BRITISH THERMAL	BATTERY TYPE	VOLTAGE		OUTPUT PROTECTION	SAFETY APPROVALS
		W	H	D		UNIT's BTU's		Input	Output		
UPSS	75	17.5"	22.5"	8"	45	2.55	Sealed Maintenance free (AGM) lead calcium	120	120	Input and Output Circuit Breakers STANDARD	UL924
	100	17.5"	22.5"	8"	48	3.4		277	277		UL1778
	125	17.5"	22.5"	8"	48	4.25					NFPA 101
	200	17.5"	22.5"	8"	54	6.8					NFPA 70
	300	17.5"	22.5"	8"	66	10.2					NEC

The Lifelight Micro provides the simplicity and reliability that is critical when providing an alternative source of power to any environment. Easy installation ..."simplicity"...connect the Plus to the emergency circuit(s) and everything is backed up..."reliability"...during a power outage. All lighting connected to the Plus will simply continue to operate at "**full light output**". Watchdog© software keeps your environment safe while self-diagnostics help maintain equipment to a high standard. Superior surge suppression assures the highest quality of power being delivered to all loads, all the time. Equipment and lamp life are maximized.

We sincerely hope you never experience a real emergency, but if you do, you deserve the **security, safety** and **peace of mind** that the Lifelight Micro ensures.

ORDERING INFORMATION

Choose the bold face catalog nomenclature that best suits your needs. Write them on the appropriate line. Order accessories as separate catalog number.

Example:

UPSS-150-120/120- NOF/120/1

Description of Example:

(150 Watt, 120 Voltage In, 120 Voltage Out, 1 Normally Off 120V Output Circuit)

UPSS-FAMILY	POWER RATING VA/W	120- VOLTAGE INPUT	120- VOLTAGE OUTPUT	ECM120- OPTIONS	90 TIME <u>Minutes</u>
	75	120	120	ECM120 - 120V Environmental control module / qty	90
	100	120	277	ECM277 - 277V Environmental control module / qty	
	125	277	120	NOF - Normally OFF output circuit/voltage / qty/pole	
	200	277	277	NOH - Normally OFF "Hold ON"/voltage/qty/pole	
	300			STUM - Onsite start-up	
				EW - Extended warranty	

1. Consult with factory for other voltage requirements. Special voltages may effect the weight, size and number of cabinets
2. One ECM is used per switching device or circuit.

SPECIFICATIONS SUBJECT TO CHANGE WITHOUT NOTICE.