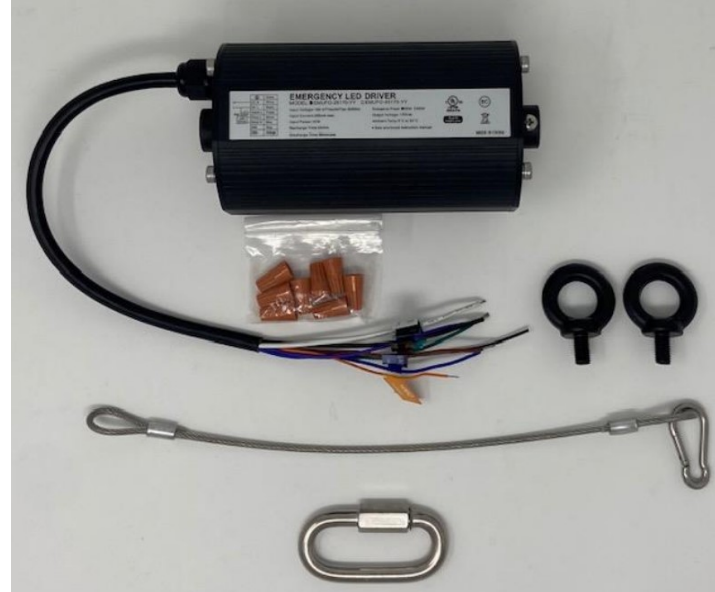


The UFOBBD can be used with LED Highbays up to 300W. In the event of a power failure, this unit offers a minimum of 90 minutes of illumination in Emergency Mode and 25W or 40W of Emergency backup power. The UFOBBD offers a smooth installation for round LED Highbay fixtures by hanging inline with the unit.

## FEATURES

- 100/347 Voltage
- Self Testing
- Input Power Rating 10W
- 90 Minute Runtime per Code
- 41F — 122F Temperature Rating
- 25W/40W Emergency Battery Backup
- 7.3 LBS
- 2KV Surge Protection
- Input Current 200mA MAX, Works with Dimmable Fixtures up to 300W
- See Wire Diagram
- Battery Over-Temperature Protection
- UL Listed



## UFOBBD

The UFOBBD offers a unique install, inline mounted, Emergency driver made for most round LED highbays.

## WARRANTY

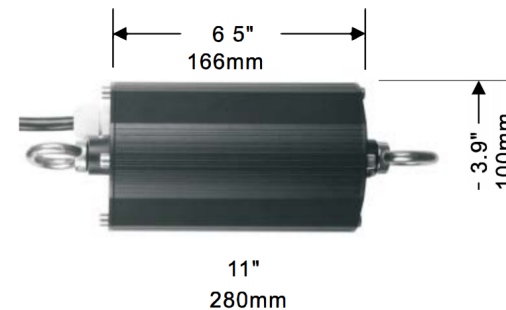
- 5 Year Warranty

## OPERATION

When AC power is supplied to the AC Driver and Emergency Driver, the AC Driver will operate the standard fixtures load per the designated fixture design. The Emergency Driver will be on charging status and the indicator light will be glowing if in proper operation. There is a manual test button that can be used to perform a 30 second emergency diagnostic, at which point the indicator light will be flashing every 2 seconds. After the 30 second test, the fixture will return to full AC Mode.

## OPERATION

The UFOBBD will perform a once a month, 30 second self-test. The UFOBBD carries a control/monitor circuit which will perform the 30 second self-test function once a month. It will also perform a full 90 minute dis-



Series	Wattage
UFOBBD	-25 = 25 Watts (Standard)
	-40 = 40 Watts