

The 2EXKLM exit offers a compact design to combo emergency lighting.

### FEATURES

- Dual 120/277 voltage
- 1.0 Watt LED per head
- Flame-Retardant, High-Impact, Thermoplastic Housing
- Ceiling, End or Back Mount
- Integrated Solid State System
- Constant Current, Controlled Automatic Charger Circuit
- Low-Voltage Battery Cutoff
- Brownout Sensitivity
- 3.6V Maintenance-Free Rechargeable Sealed Nickel Cadmium Battery
- Test Switch
- Led (power On) Indicator
- UL and cUL listed

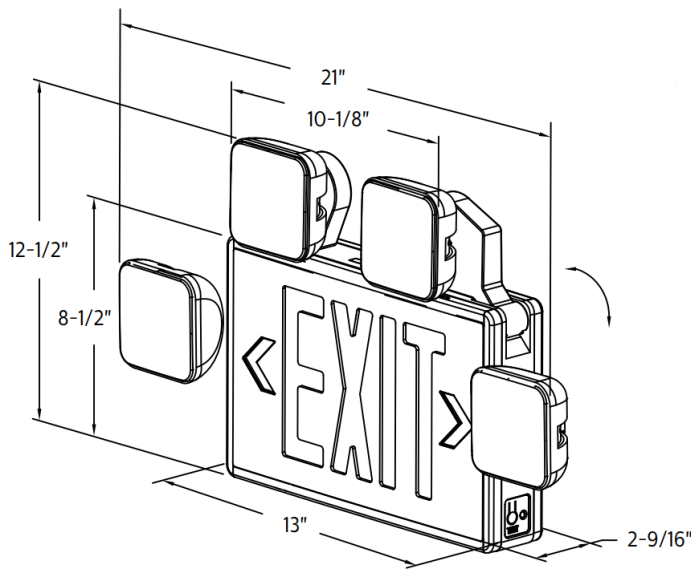


## 2EXKLM

The EXKLM is a commercial grade LED universal single or double face emergency exit combo.

### WARRANTY

5 Year Warranty



| Series                 | Faces                          | Letter Color | Stencil Trim Color | Housing Color |
|------------------------|--------------------------------|--------------|--------------------|---------------|
| 2EXKLM= Battery Backup | 2 = Double Face<br>(Universal) | R = Red      | W = White          | W = White     |
|                        |                                | G = Green    | B = Black          | B = Black     |
|                        |                                |              |                    |               |
|                        |                                |              |                    |               |