

The C4X is a popular solution for areas requiring NEMA 4X protection.

### FEATURES

- Dual 120/277 voltage.
- Unique bi-color LED indicator light alerts occupant on battery condition (Green-normal, Red-check-battery).
- Charge rate/power "ON" LED indicator light and magnetic test switch for mandated code compliance testing.
- 4.8V long-life, maintenance-free, rechargeable NiCd battery (EM models only).
- Internal solid-state transfer switch automatically connects the internal battery to LED board for minimum 90-minute emergency illumination.
- Fully automatic solid-state, two-rate charger initiates battery charging to recharge a discharged battery in 24 hours.
- Universal knockout pattern on back provided with gasket for watertight seal for back mount.
- Polycarbonate mounting canopy included for top or end mount.
- Housing is fiberglass reinforced polycarbonate construction in gray finish.
- Corrosion-resistant enclosure with one piece, high impact resistant, UV stabilized polycarbonate lens and molded gasket with stainless steel screws.
- Knockout's provided for conduit feed applications.
- Snap-out Chevron directional indicators.
- UL Listed for wet locations, meets UL924, CEC Listed



### C4X

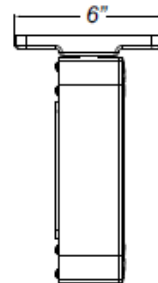
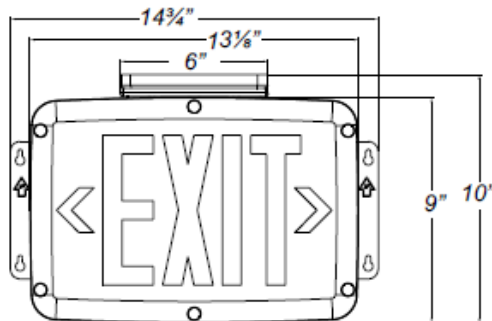
The C4X is rated for NEMA 4X Environments

### Options:

- \* **SD** – Self Diagnostic
- \* **2CKT/120** – Dual Circuit 120V input
- \* **2CKT/277** – Dual Circuit 277V input
- \* **TP** – Tamper Proof Screws

### WARRANTY

5 Year Warranty



Series	Faces	Letter Color	Housing Finish	Options
C4X = AC Only	1	R = Red	W = White	-SD = Self Diagnostics
EC4X = Battery Backup	2	G = Green	B = Black	
			G = Gray	