

LIFELIGHT MICRO

SPECIFICATIONS

The Lifelight Micro maintains efficient AC Emergency Power to operate all emergency lighting fixtures at “full-light” output, providing superior dependability and security to commercial/industrial environments in a small footprint.

POWER RATING

75 Watts - 375 Watts single phase output unit uses the latest technology to provide the most advanced performance and reliability features

INPUT

- 120V or 277V input 60Hz

OUTPUT

- 120V or 277VAC. Stand-by design is ≥99% efficient at 100% linear load

BATTERIES

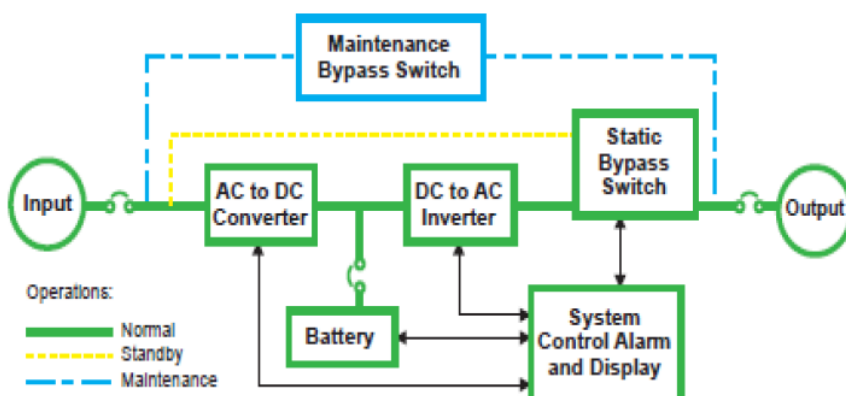
- Sealed, maintenance-free, lead calcium (AGM) batteries
- 10-Year prorated warranty
- Smart Battery Monitoring System is **TEMPERATURE COMPENSATED** maintaining maximum runtime and battery life
- Microprocessor controlled recharge and overcharge protection standard

LAMPS & LOADS

- Emergency power provides **FULL LIGHT OUTPUT** from all lamps and fixtures for the entire runtime
- Operates fluorescent, compact fluorescent, incandescent, quartz, H.I.D., LED and other lamp types
- Standard or electronic ballasts, dimming devices or panels, sensors and most control equipment
- Standard or LED Exits and other safety equipment

CODES

- UL 924, UL 1778, meets NFPA 101, NFPA 70, NEC and OSHA standards
- Cities of Chicago and New York approved
- Complies with the Buy American Act

**75W-375W****Single Phase**

**Stand-by
Emergency
Lighting and
Power Systems**



PROTECTION

- Provides overload, surge and undercurrent protection using Watchdog Software to protect system performance and reliability
- Surge protection against load surges as defined in ANSI/IEEE C62.45 category A and B

DIAGNOSTICS & MAINTENANCE

- Watchdog Software provides complete self diagnostic capabilities and LED Monitoring
- Informative advanced Display and Alarms keep you in control of your emergency lighting environment 24/7
- Automatically performs periodic self-tests ensuring a safely lighted environment prior to an emergency
- Single point of testing instead of multiple testing points with battery packs

CABINET

- Space saving small footprint
- Modular design enables flexible installation

INSTALLATION

- Modular design and small footprint allow easy installation in electrical closet or other convenient locations
- Phone assisted factory start-up standard for all systems
- Extended warranty available

SPECIAL APPLICATIONS

- Numerous UL924 optional devices to meet unusual or difficult application parameters
- ECM - Environmental Circuit Module allows fixtures and lamps on the emergency circuit(s) to be operated by normal switching and/or dimming devices in NON-emergency conditions
- Dimming Panel Interface allows use with emergency lights controlled by common dimmer panel

WARRANTY

- 1-Year full warranty on system electronics
- Battery warranty 1-year with 9-years pro-rated
- System 1-year on-site warranty labor with phone assisted start-up
- 5-Year powertrain warranty
- Maintenance contracts available

Input and Output Circuit Breakers on the LifeLight MICRO are STANDARD.

- UL924
- UL1778
- NFPA 101
- NFPA 70
- NEC

| Micro Series | Power Rating VA/W | Weight | BTU's | Battery Type | Voltage |
|--------------|-------------------|--------|-------|--|------------------------|
| UPSS | 75 | 45lbs | 2.55 | Sealed Maintenance Free AGM Lead Calcium | Input 120V Output 120V |
| | 125 | 48lbs | 4.25 | | |
| | 200 | 54lbs | 6.8 | | |
| | 375 | 66lbs | 10.2 | | |

Dimensions:

17.5" W x 22.5" H x 8" D

The LifeLight Micro provides the simplicity and reliability that is critical when providing an alternative source of power to any environment. Easy installation ..."simplicity"...connect the Micro to the emergency circuit(s) and everything is backed up..."reliability"...during a power outage. All lighting connected to the Micro will simply continue to operate at "**full light output**" once the transfer is complete. Watchdog© software keeps your environment safe while self-diagnostics help maintain equipment to a high standard. Superior surge suppression assures the highest quality of power being delivered to all loads, all the time.

We sincerely hope you never experience a real emergency, but if you do, you deserve the **security, safety** and **peace of mind** that the LifeLight Micro from Big Beam ensures.

ORDERING INFORMATION

Choose the bold face catalog nomenclature that best suits your needs.

Write them on the appropriate line. Order accessories as separate catalog number.

Example:

UPSS-75-120/120-NOF/120/1

Description of Example:

(75Watt, 120 Voltage In, 120 Voltage Out, 1 Normally Off 120V Output Circuit, Single Pole)

| Micro Series | Power Rating VA/W | Input Voltage | Output Voltage | OPTIONS | Runtime (Minutes) |
|------------------------|-------------------|---------------|----------------|--|-------------------|
| MUPPS | 75 | 120 | 120 | ECM120 = 120V Environmental Control Module / qty | 90 |
| | 125 | 120 | 277 | ECM277 = 277V Environmental Control Module / qty | |
| | 200 | 277 | 120 | NOF = Normally Off Output Circuit/Voltage/qty/pole | |
| | 375 | 277 | 277 | NOH = Normally Off "Hold On"/Voltage/qty/pole | |
| STUM = Onsite Start-Up | | | | | |
| EW = Extended Warranty | | | | | |

1. Consult with factory for other voltage requirements. Special voltages may effect the weight, size and number or cabinets
2. One ECM is used per switching device or circuit.

SPECIFICATIONS SUBJECT TO CHANGE WITHOUT NOTICE.